

Acfer Service Srl
Ph: +40792413770 - Ph. +393478009951
(whatsapp available)
Email: sales@acferservice.srl
<https://www.acferservice.srl>

Dear Customer,

We source used printing and converting machines and supply them to customers throughout the world .
We work in the international area, so in our machine database which holds the list of the used printing machinery and equipment , our customers can find and ask any kind of printing machines from anywhere in the world .

Our headquarter is in Romania but we also have branches in Italy ,Latin America and Asia

In Italy we also have a Project department office with project designers, specialized mechanic and electronic engineers with more than 30 years experience on converting machines.

- *Total service package
- *Expertise in converting equipment
- *Breakdown callout
- *Ongoing maintenance
- *Covering all areas: Electrical, Mechanical, Electronic, Pneumatic, Hydraulic, Project
- *Replacement and maintenance parts , installation, dismantling, contractors

All along these years Acfer Service has been followed the path of technological growth, trying to find always new solutions for the different needs becoming an up to date future-oriented company.
Our organization is made by a great team of technicians with good experience from companies like Rotomec, Cerutti, Uteco, MRG Grafomac , Nordmeccanica, Colines, Prandi, Andreotti, Polytype and others .

We speak English , French, Italian and Spanish....
(but we can gesticulate and make ourselves understood in all languages ...)

Acfer Service Srl

We made installations all around the world and we continue without limits.

We may operate on rotogravure presses, flexopress, extrusion coating laminating lines, slitter, stretch film and cast , metallizers, mechanical, electrical , electronic and software services.

We also supply modifications on existing machines where we may add new or used unwinder & rewinder, printing units, printing cylinders trolley, solvent less trolley, mechanical & electronic projects, refurbishing and any other request for any kind of equipments utilized to print on any material.

Used machines can be modified and integrated with other customized systems or solutions to build the plant that meets the customer's specific needs.

Our company guarantees an excellent after sales and spare parts service and we have collaborators who work with converting machines since more than twenty years.

After the installation and start up, maintenance contracts are available specifically designed for the individual customer. We are also interested to know if you have an used equipment for sale, in this case, please, send us all details and photo to our email address.

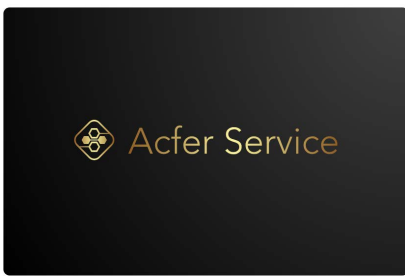
We have great prices tailored for your needs.

Technical services

Disassembly and reassembly

We have long experience of repositioning machines for flexible packaging materials.

We move several lines per year. We can supply mechanical, electronic and process specialists with specific experience supporting customer along all steps of a machine repositioning, from dismantle to start up at customer's plant.



Acfer Service Srl
Ph: +40792413770 - Ph. +393478009951
(whatsapp available)
Email: sales@acferservice.srl
<https://www.acferservice.srl>

Packaging, loading and shipping

Proper packaging will protect equipment during long haul sea transport and can allow a more efficient use of space inside containers.

We can supply crates for “out of gauge” items, barrier sack to protect from corrosion and wooden platforms and structure to safely fix items inside containers.

We also have great cooperation with most of the biggest shippers around the world and we can provide a full service for Customs.

Retrofits

Thank to our team we can execute necessary modifications to better fit customer’s requests and applications.

Renovation

In our workshop we are capable to recondition run-down equipment and turn it into a completely functional reconditioned unit.

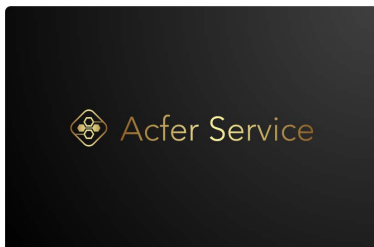
Also controls can be modernized installing new digital drive and PLC or we may supply a brand new electrical cabinet with the last technology for your machine.

Appraisal

With long experience in flexible packaging machinery business we have the necessary knowledge to evaluate used equipment in this industry. As experienced machinery dealers we deliver a reliable appraisal report.

Our experience embraces:

- Printing machines, flexopress and rotogravure
- Film extrusion lines (blown film, extrusion coating laminating and cast film)
- Slitter rewinder
- Coating and lamination machines
- Metallizers



Acfer Service Srl
Ph: +40792413770 - Ph. +393478009951
(whatsapp available)
Email: sales@acferservice.srl
<https://www.acferservice.srl>

*****“Maintenance Reports and technical service”*****

We offer our technical service for a full maintenance report where we have a full check of your machines, mechanical, electrical and electronic status of the equipment.

We provide you a technical report with all details , from a general overview to section by section, we inform you about obsolete parts and suggestions about spares and repairs with explanation and photos.

At the end we may offer you our services in order to improve your equipment and production .

Where possible , we also offer a continuous preventive maintenance for your equipment.

With our technical report, you are free to decide if you prefer to follow with us or to repair them by yourself .

The reports are made by two technicians and their presence depends of type of the equipment.

Ask for an offer now !

Acfer Service Srl

Our main Software

Main software used

- AUTOCAD MECHANICAL
- AUTODESK INVENTOR
- NAVISWORKS
- NASTRAN
- 3ds MAX
- VAULT PROFESSIONAL
- EXCEL

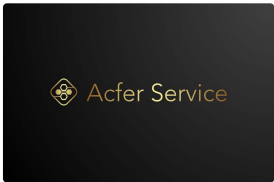


Acfer Service Srl
Ph: +40792413770 - Ph. +393478009951
(whatsapp available)
Email: sales@acferservice.srl
<https://www.acferservice.srl>

Business sector we work in

Production sector

- CONVERTING
- PACKAGING
- PAPER
- AUTOMATION



Acfer Service Srl
Ph: +40792413770 - Ph. +393478009951
(whatsapp available)
Email: sales@acferservice.srl
<https://www.acferservice.srl>

your request - our development - project and drawings

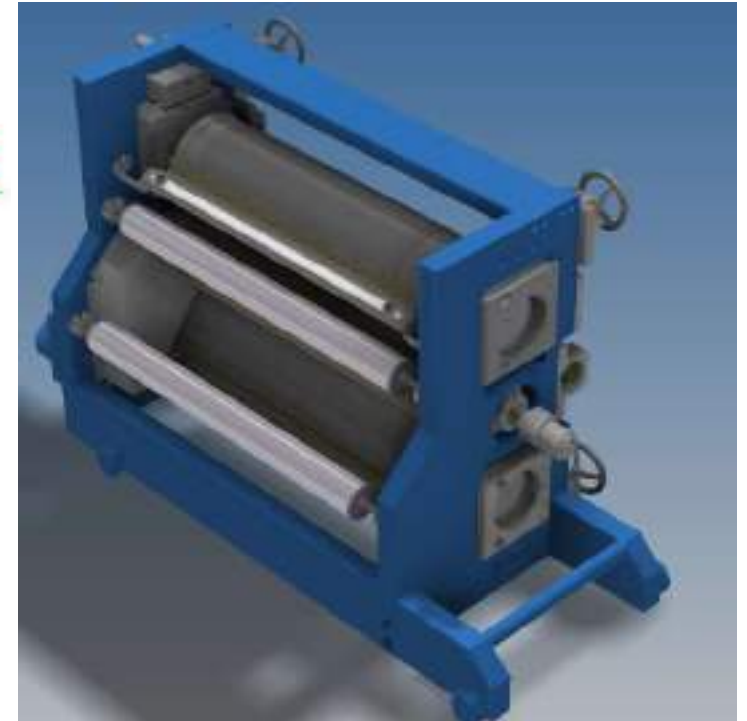
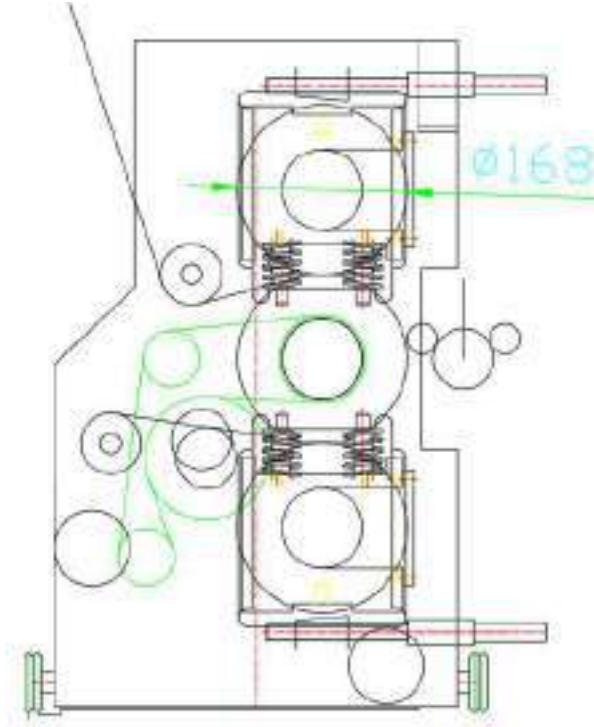
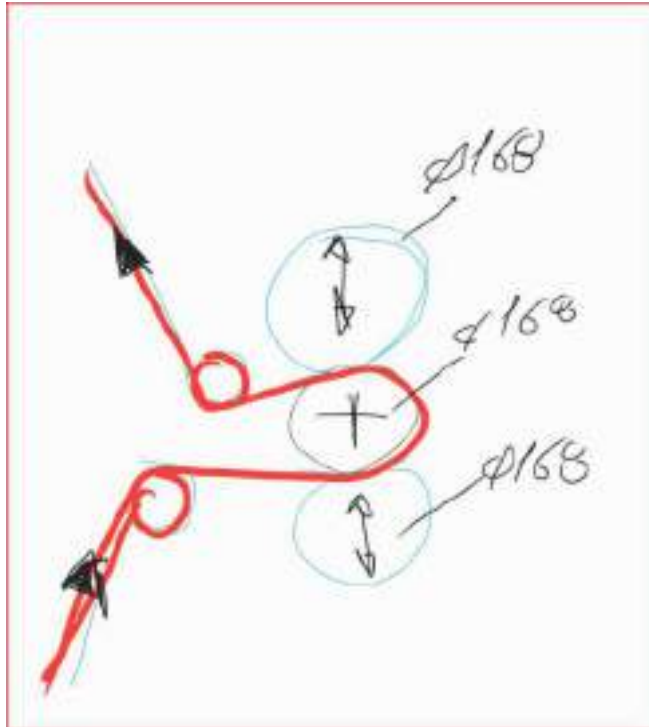
request



development



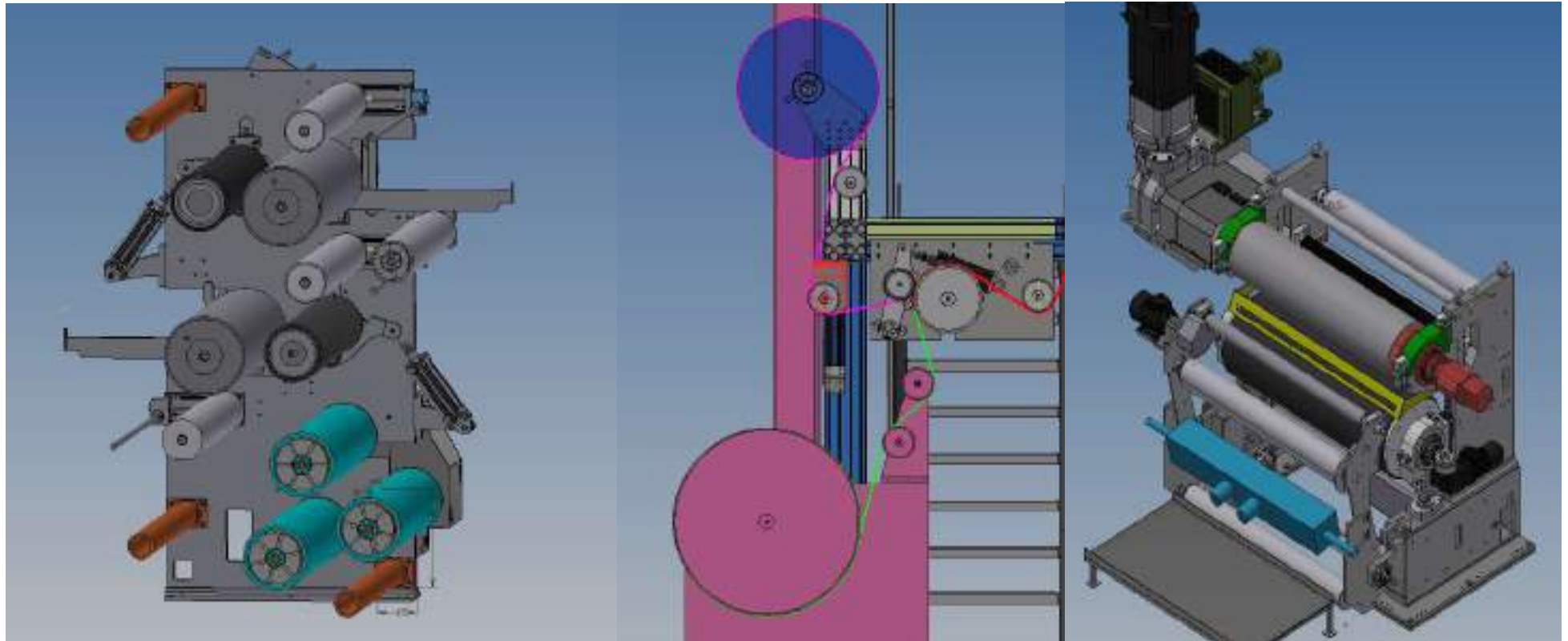
drawings



Acfer Service Srl

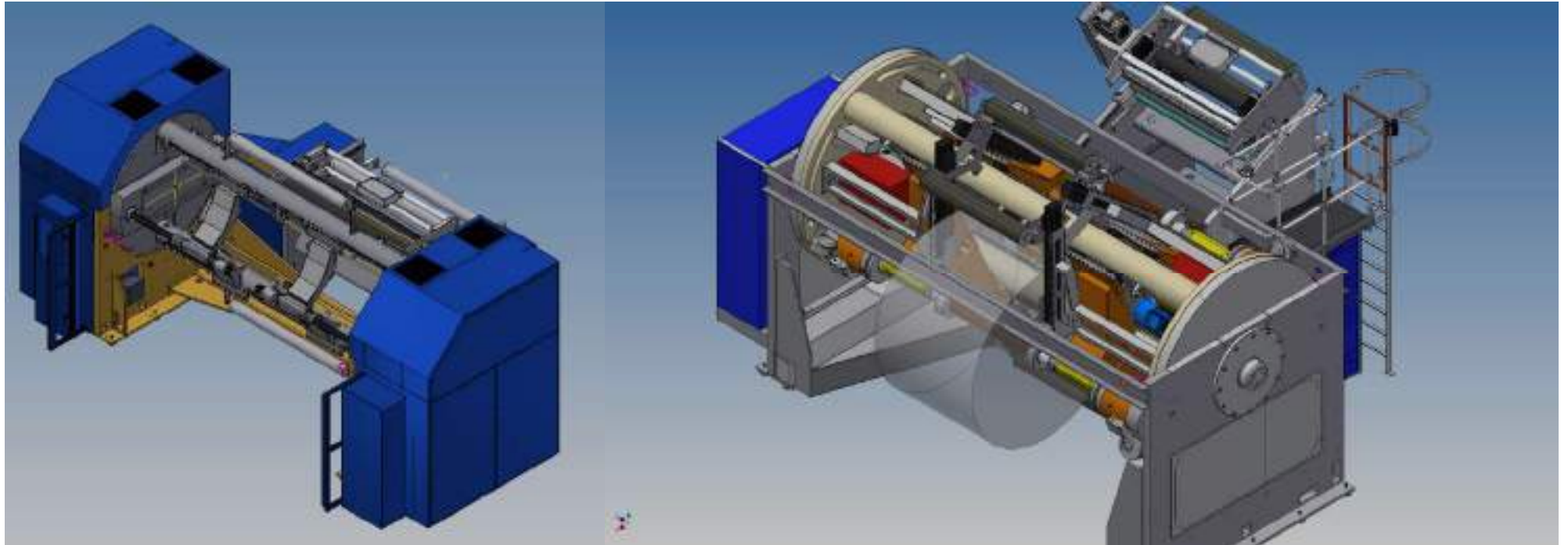
Lamination and embossing units

Laminations -embossings



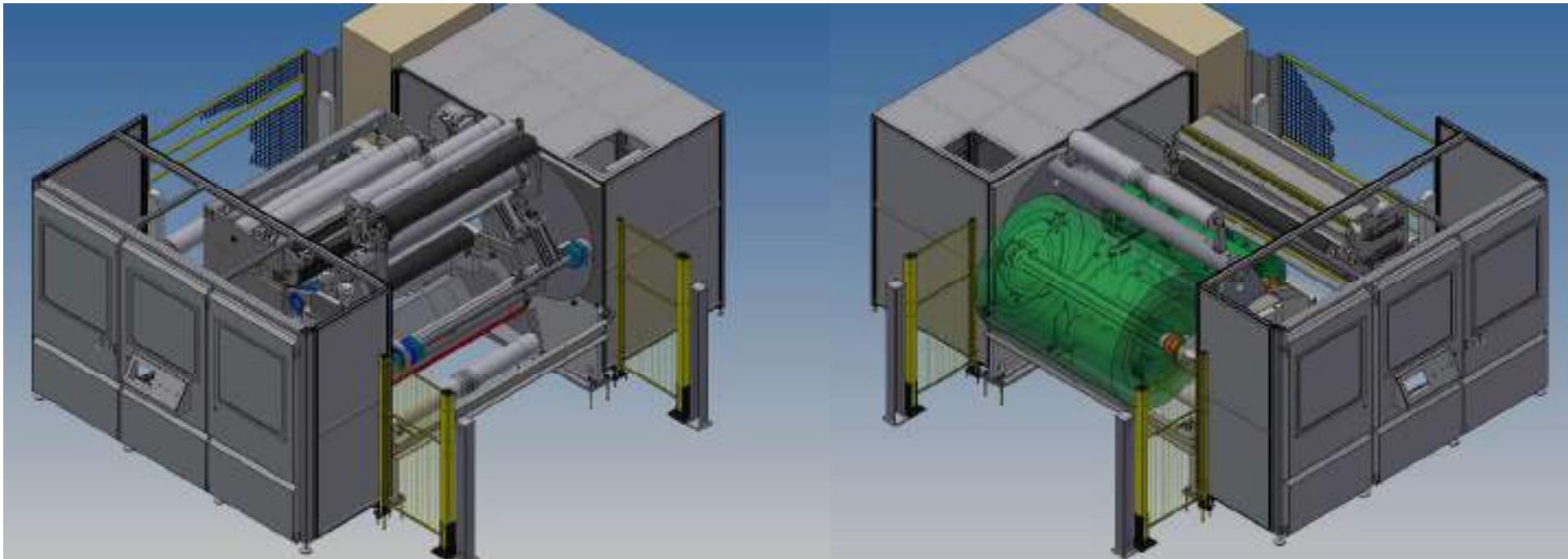
Rewinder and Unwinder bi-directional Shaftless

Duplex automatic bidirectional Winder - unwinder shaftless



Rewinder and Unwinder automatic shafted

Duplex automatic bidirectional Winder - unwinder shafted

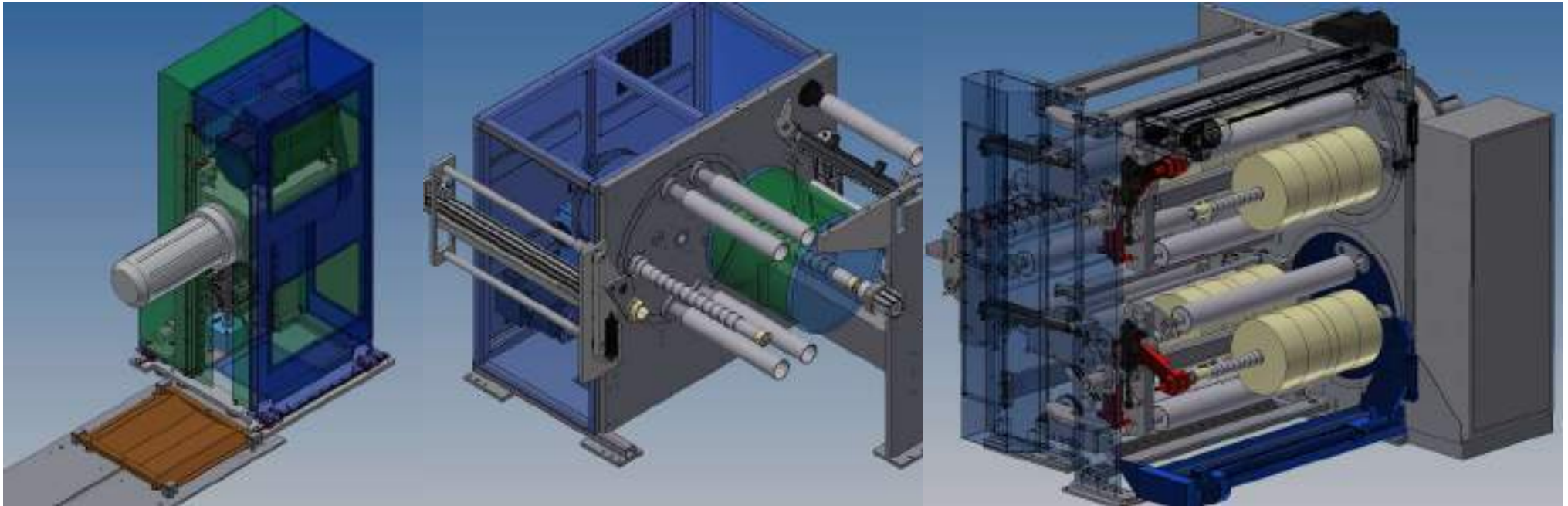


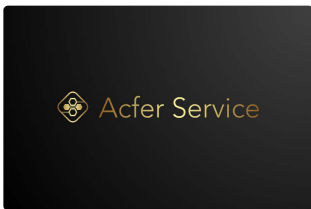


Acfer Service Srl
Ph: +40792413770 - Ph. +393478009951
(whatsapp available)
Email: sales@acferservice.srl
<https://www.acferservice.srl>

Rewinder and Unwinder simplex/duplex cantilevered

Winder - unwinder duplex and simplex cantilevered

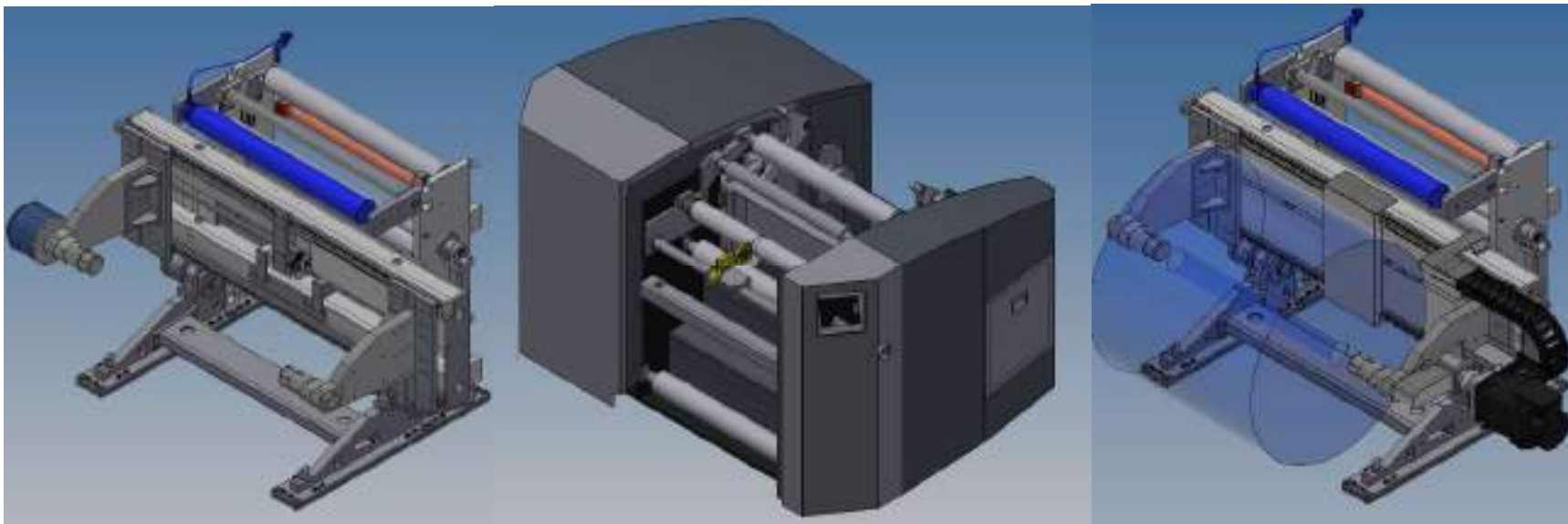




Acfer Service Srl
Ph: +40792413770 - Ph. +393478009951
(whatsapp available)
Email: sales@acferservice.srl
<https://www.acferservice.srl>

Rewinder and Unwinder simplex model shafted or shaftless

Winder - unwinder simplex shaftless/shafted

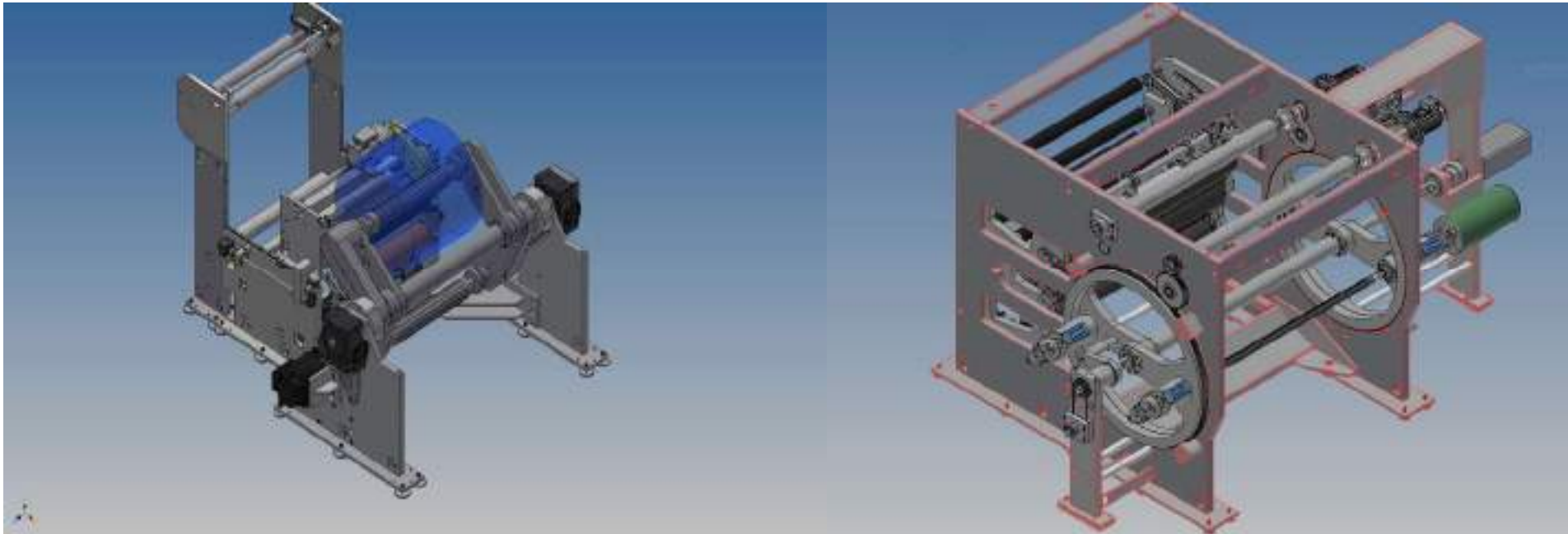


Acfer Service Srl
Ph: +40792413770 - Ph. +393478009951
(whatsapp available)
Email: sales@acferservice.srl
<https://www.acferservice.srl>

 Acfer Service

Rewinder bidirectional automatic independent arms

Duplex bidirectional automatic rewinding module, with independent and recurrent arms



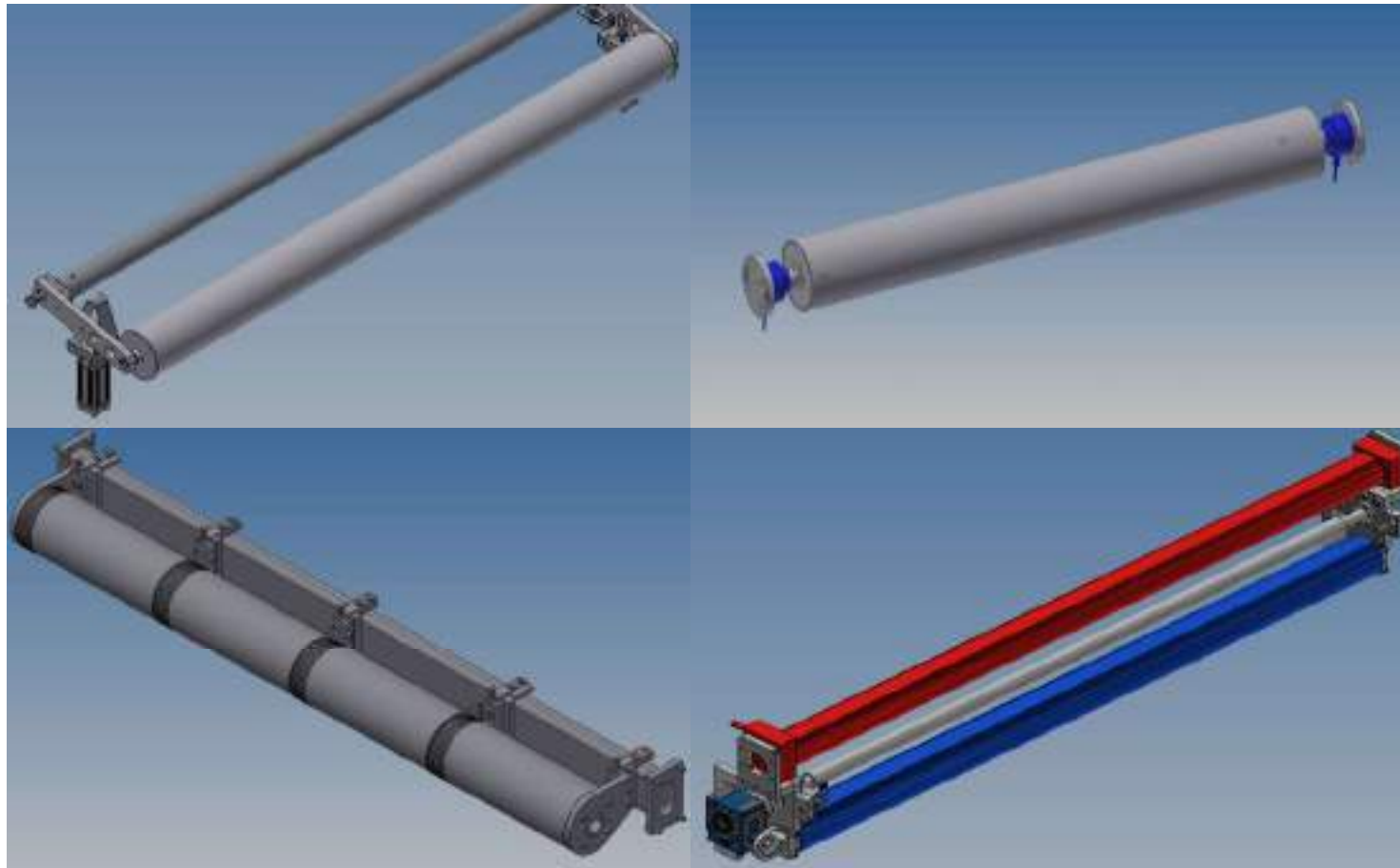
Acfer Service Srl

Acfer Service Srl
Ph: +40792413770 - Ph. +393478009951
(whatsapp available)
Email: sales@acferservice.srl
<https://www.acferservice.srl>

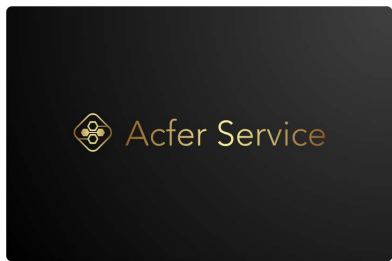
 Acfer Service

Tension control unit and dancer rollers

Roller dancers and tension control system

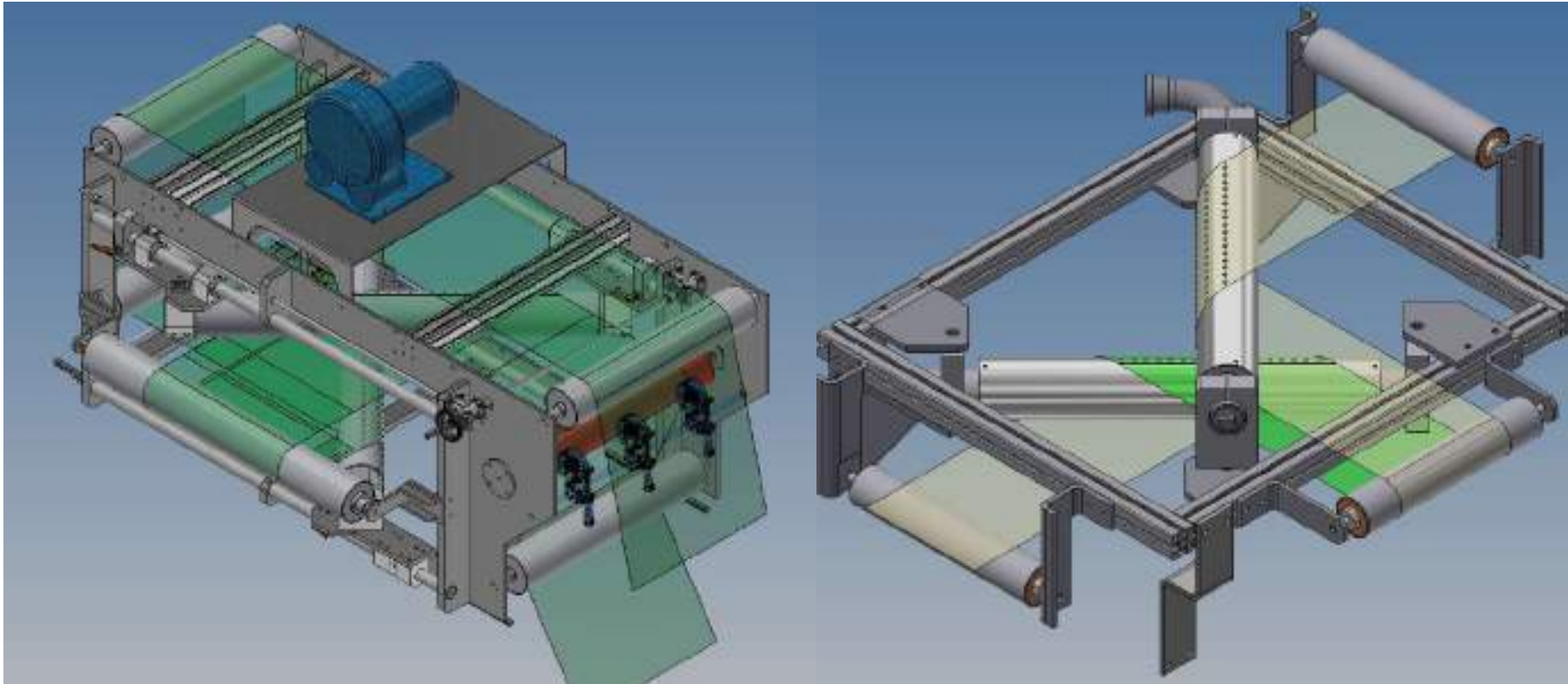


Acfer Service Srl
Ph: +40792413770 - Ph. +393478009951
(whatsapp available)
Email: sales@acferservice.srl
<https://www.acferservice.srl>



Turn bars for flexopress and gravure

Turn bars

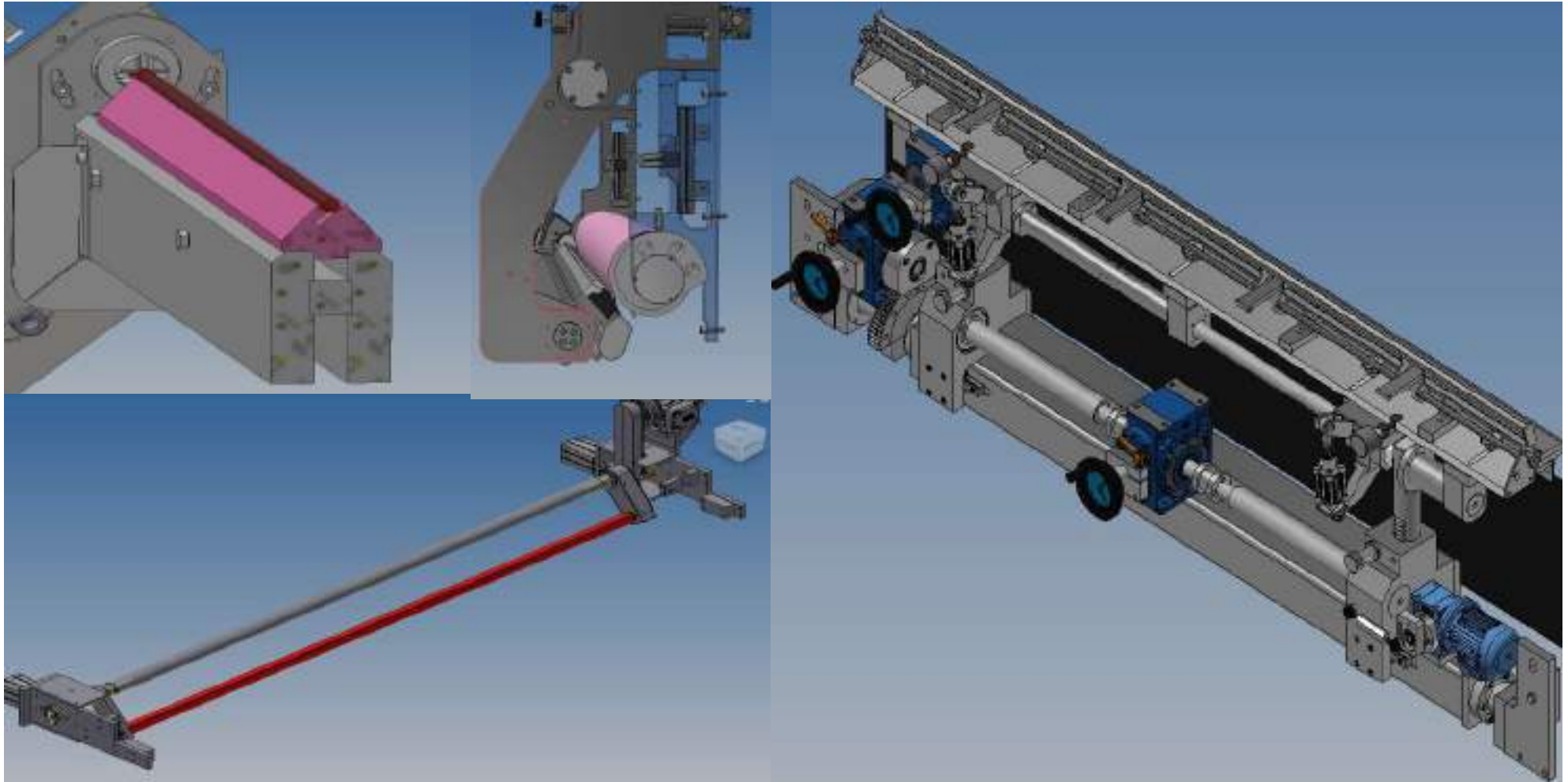


Acfer Service Srl
Ph: +40792413770 - Ph. +393478009951
(whatsapp available)
Email: sales@acferservice.srl
<https://www.acferservice.srl>



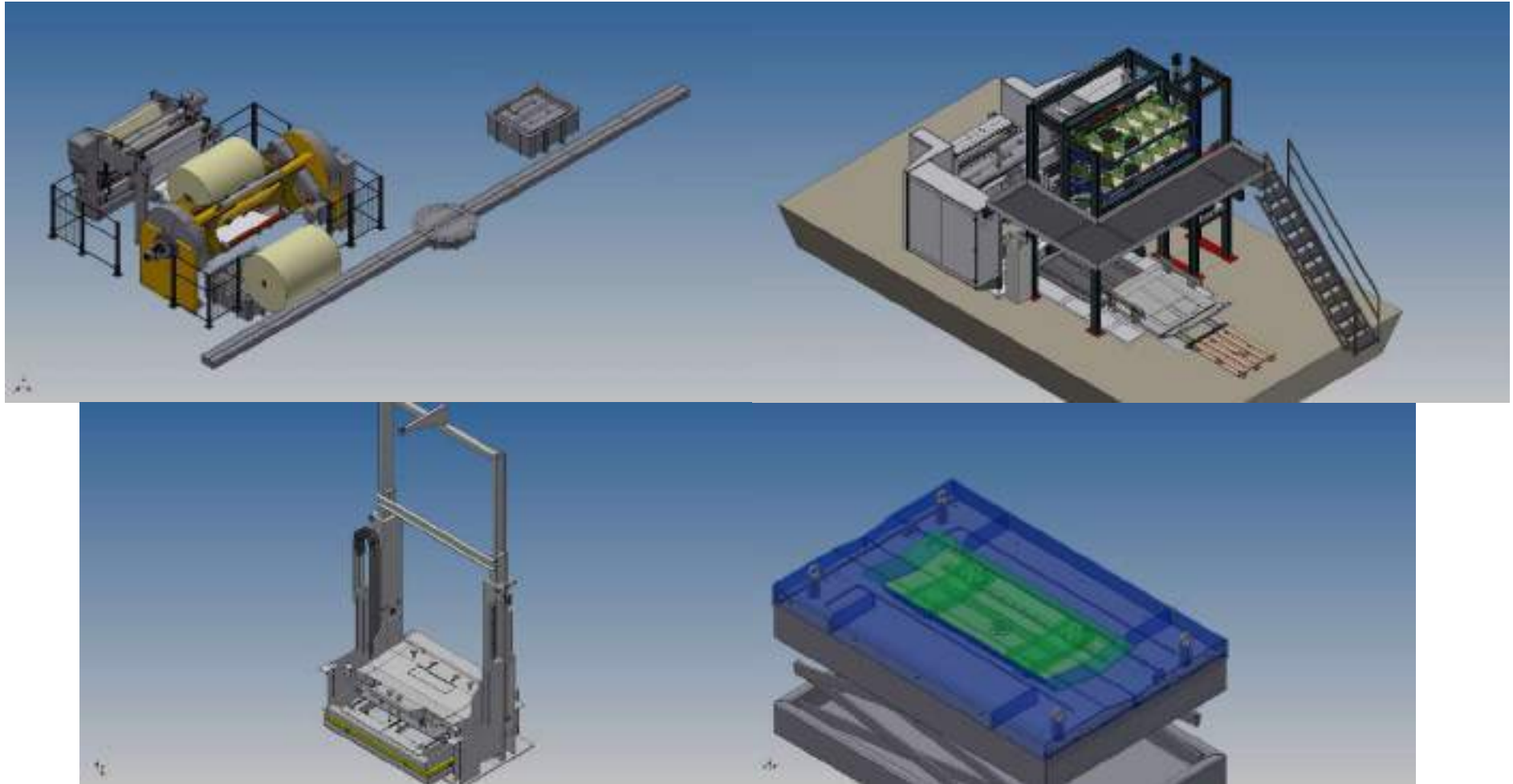
Doctor blades - Smoothing bar - Mayer bar

Smoothing bar - mayer bar – Doctor blade system



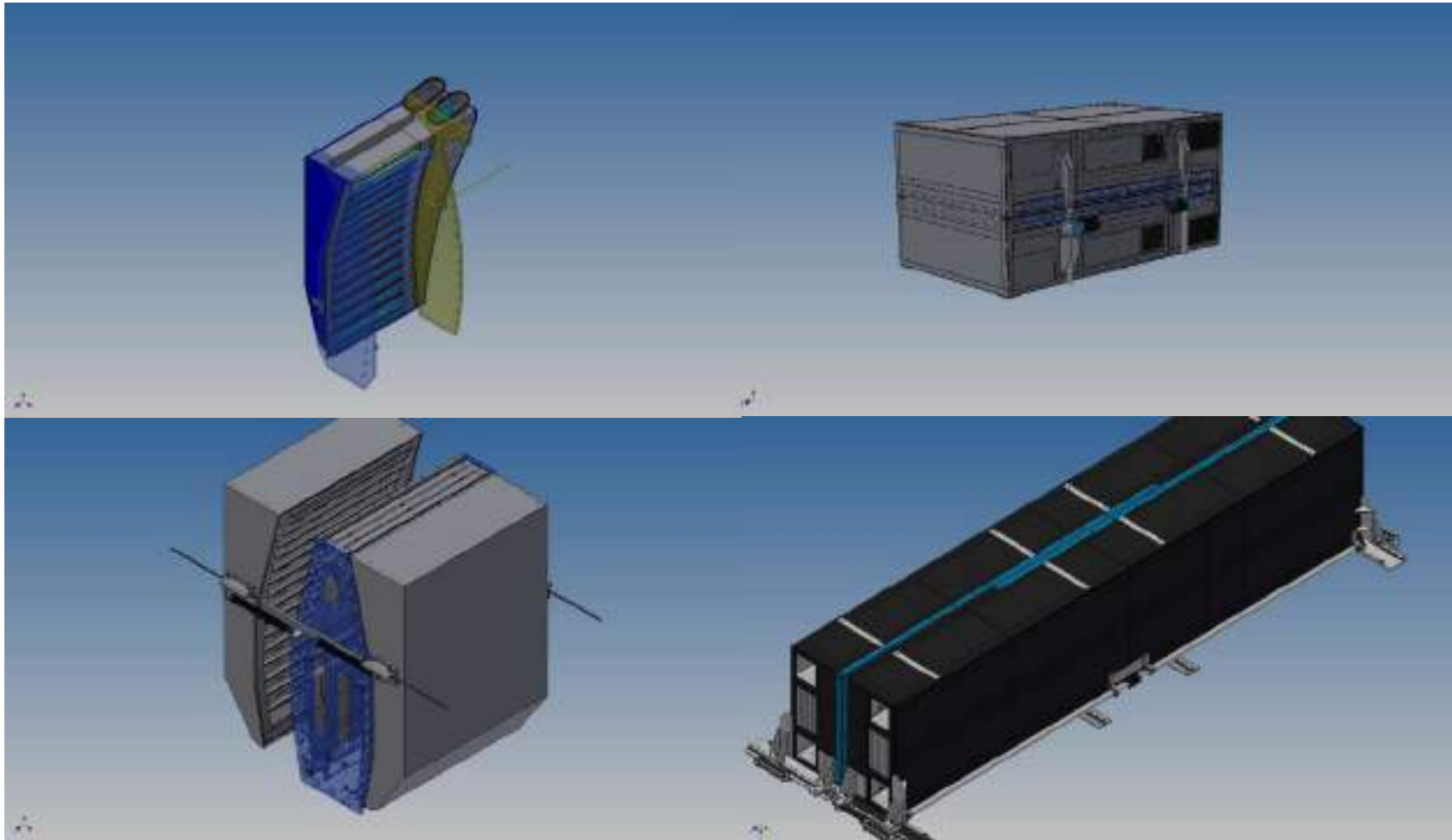
Reel handling and other equipments

Reel handling and mechanical equipment



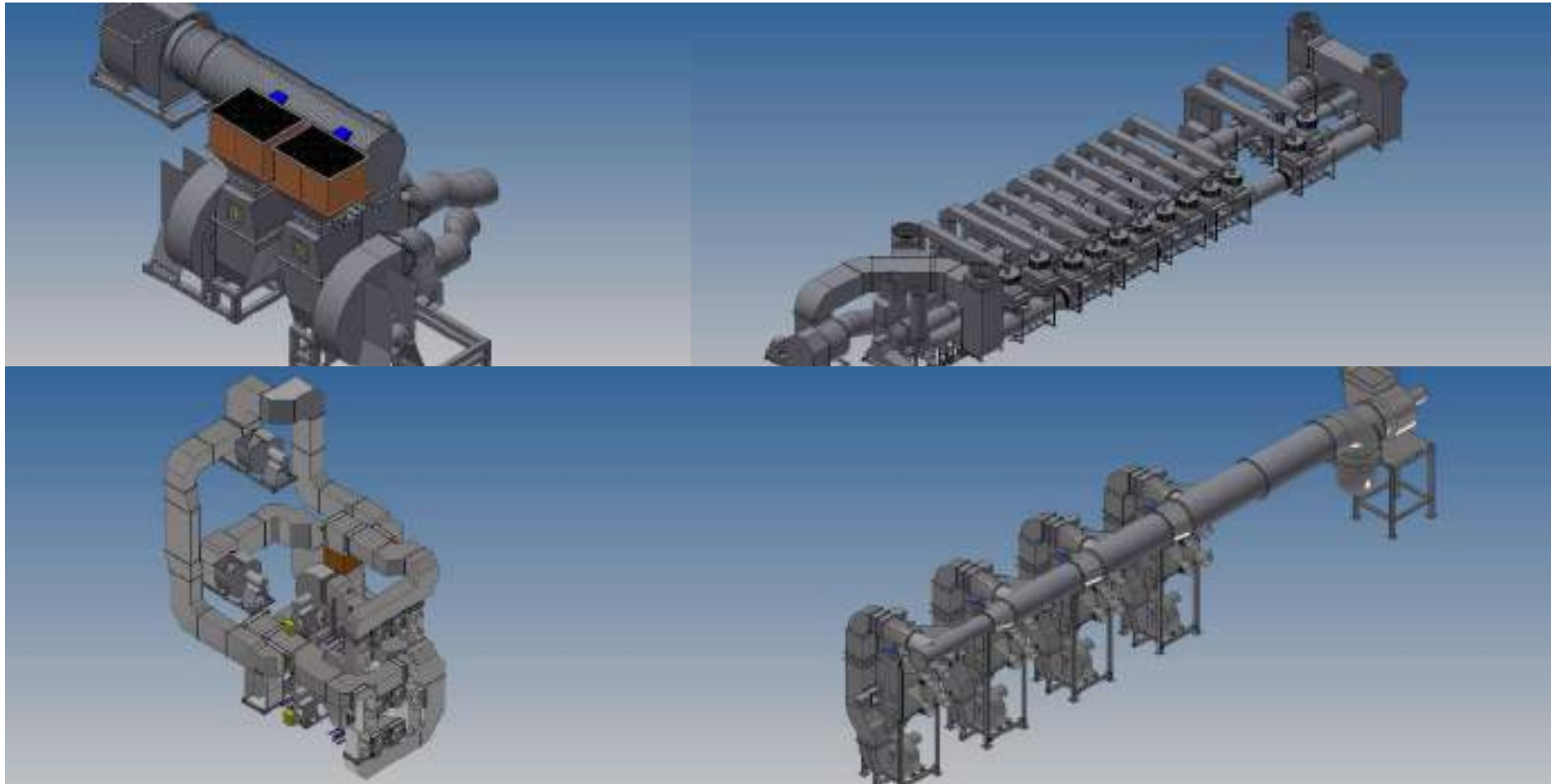
Drying hoods and ovens for any equipment

Drying hoods and ovens



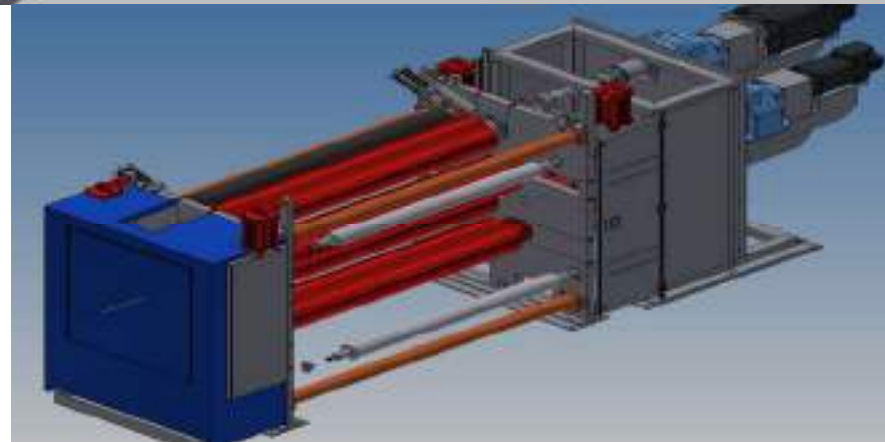
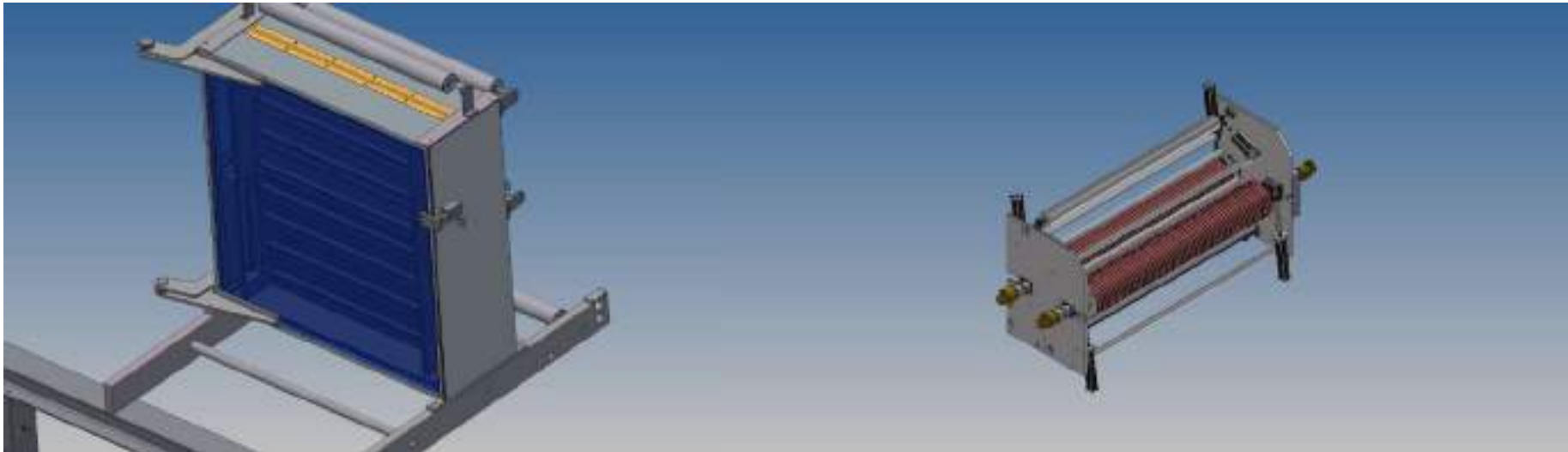
Drying ventilation units for any equipment

Drying ventilation units



Drying hoods and roller preconditioning

Drying hoods and roller preconditioning

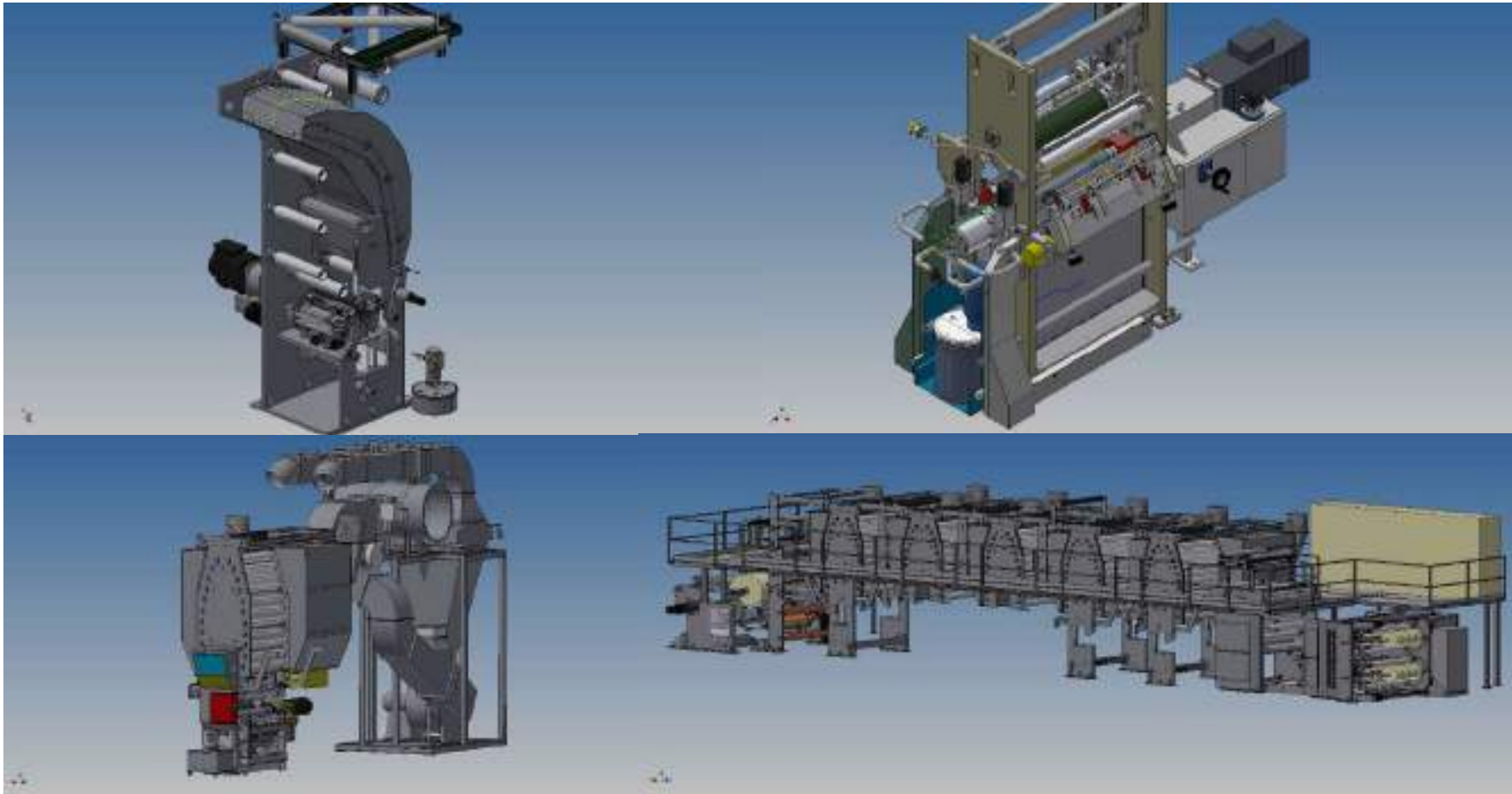


Acfer Service Srl
Ph: +40792413770 - Ph. +393478009951
(whatsapp available)
Email: sales@acferservice.srl
<https://www.acferservice.srl>



Printing and coating unit for any equipment

Coating and printing unit

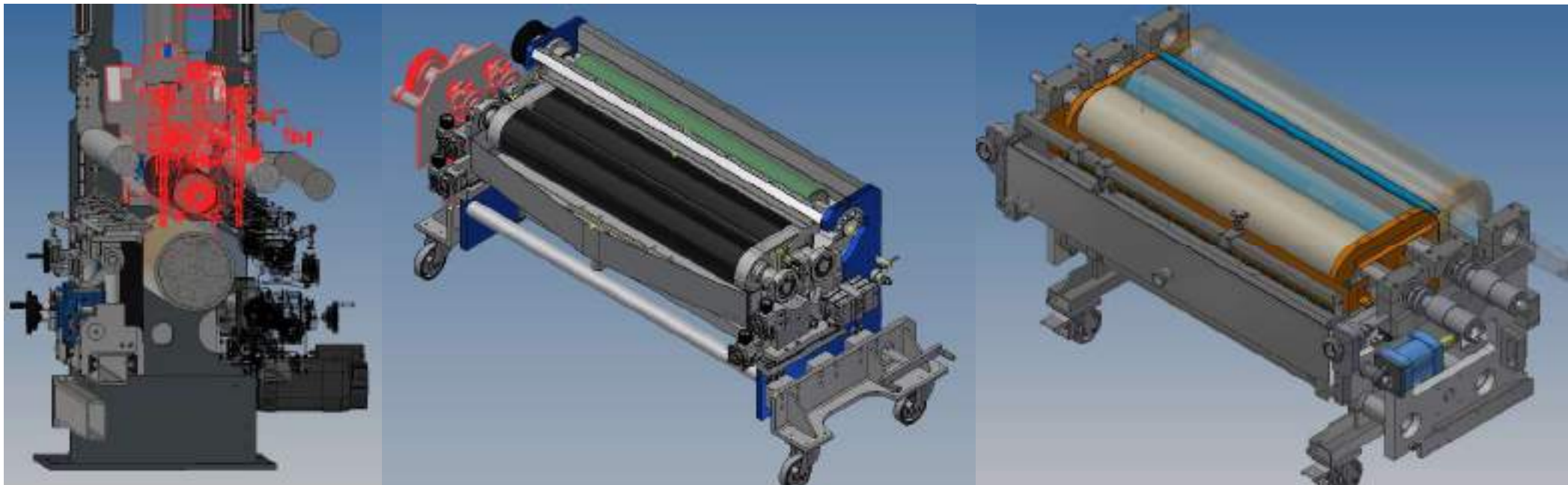


Acfer Service Srl
Ph: +40792413770 - Ph. +393478009951
(whatsapp available)
Email: sales@acferservice.srl
<https://www.acferservice.srl>



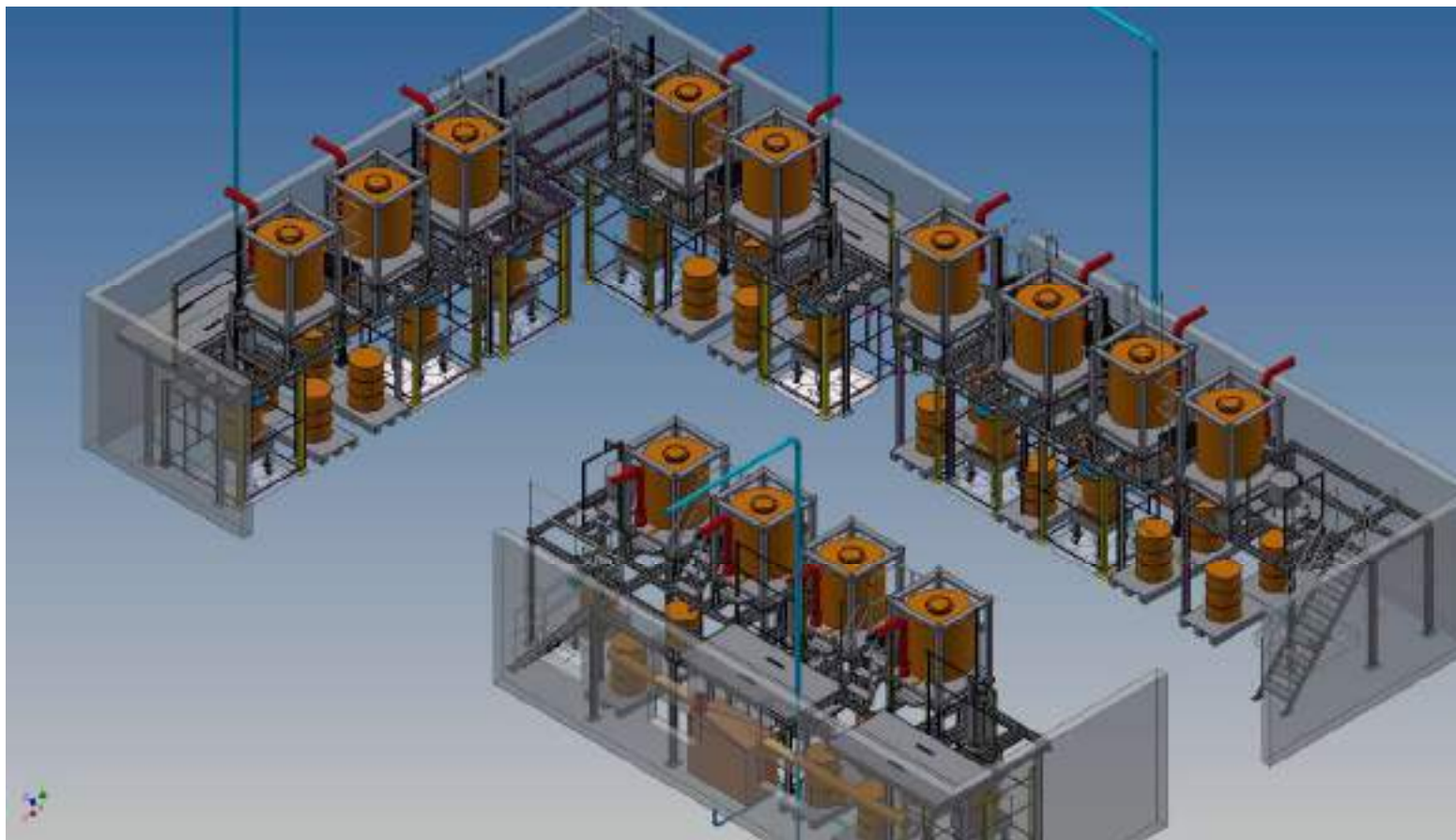
Printing system and coating on trolley

Printing system and coating



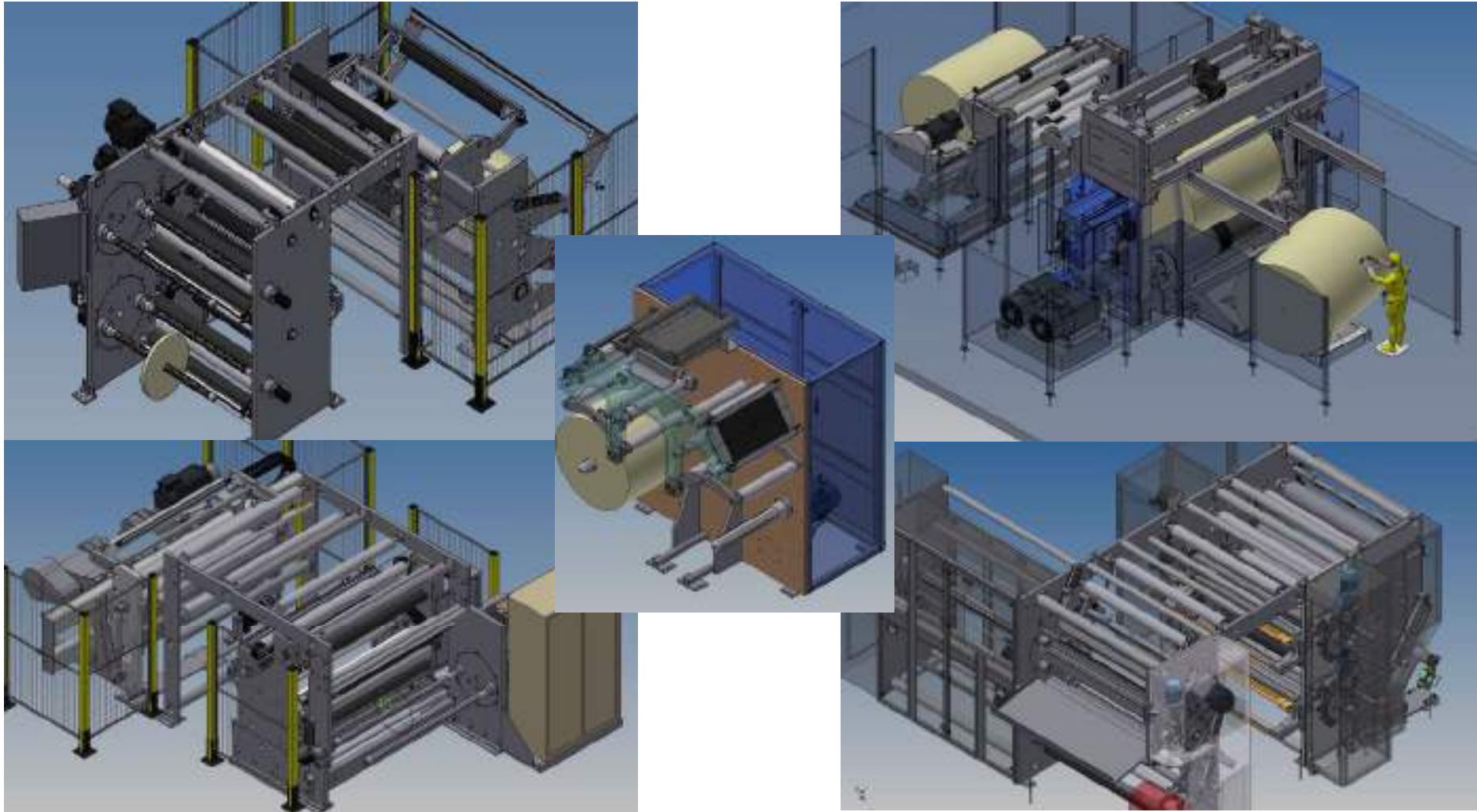
Installations

Industrial installations



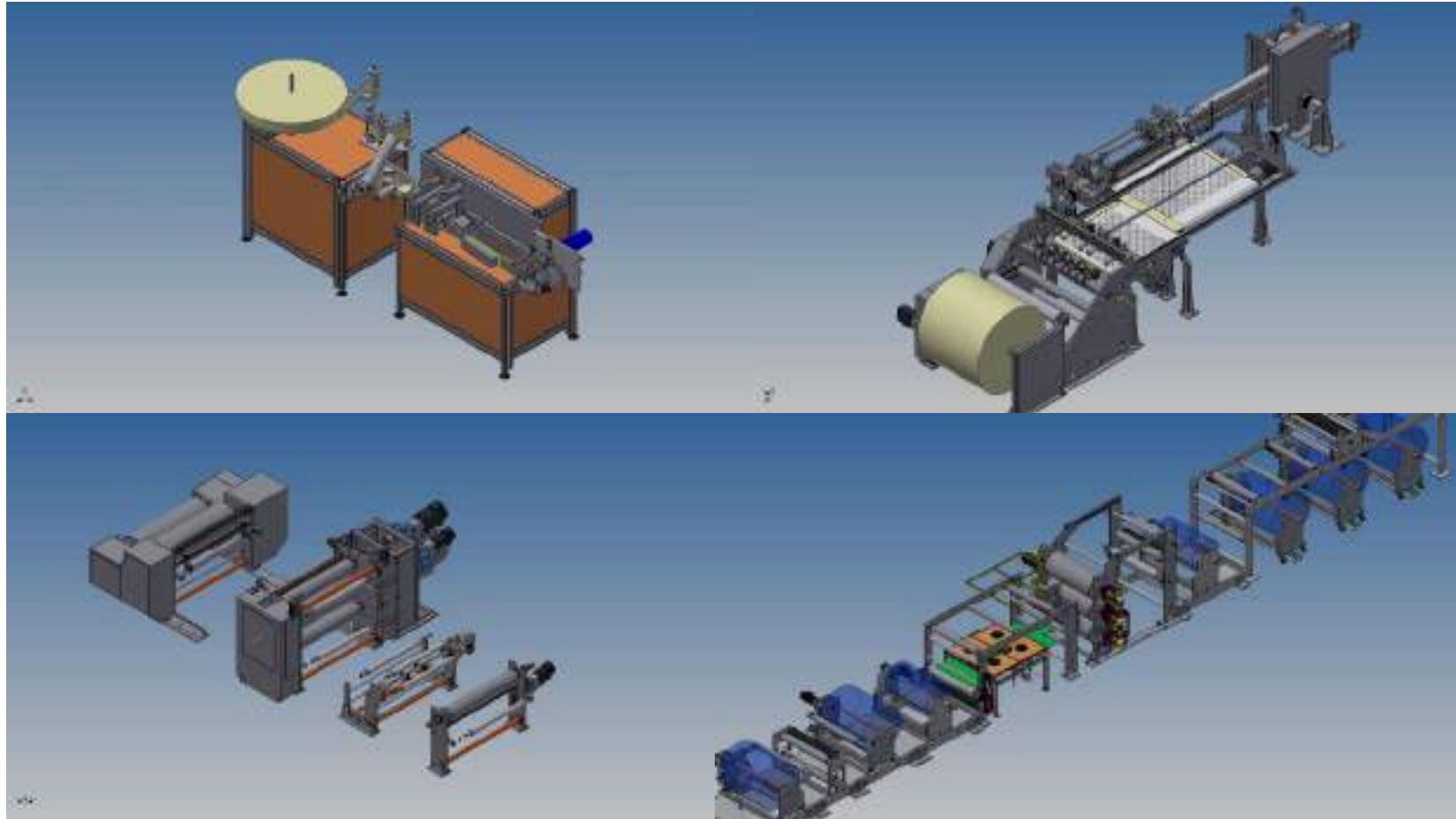
Slitter and rewinders

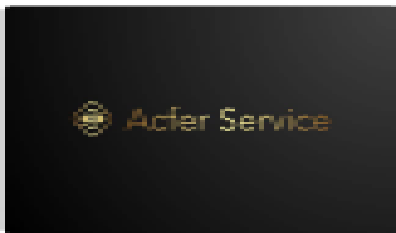
Slitters and rewinders



Special and Customized lines on request

Special lines

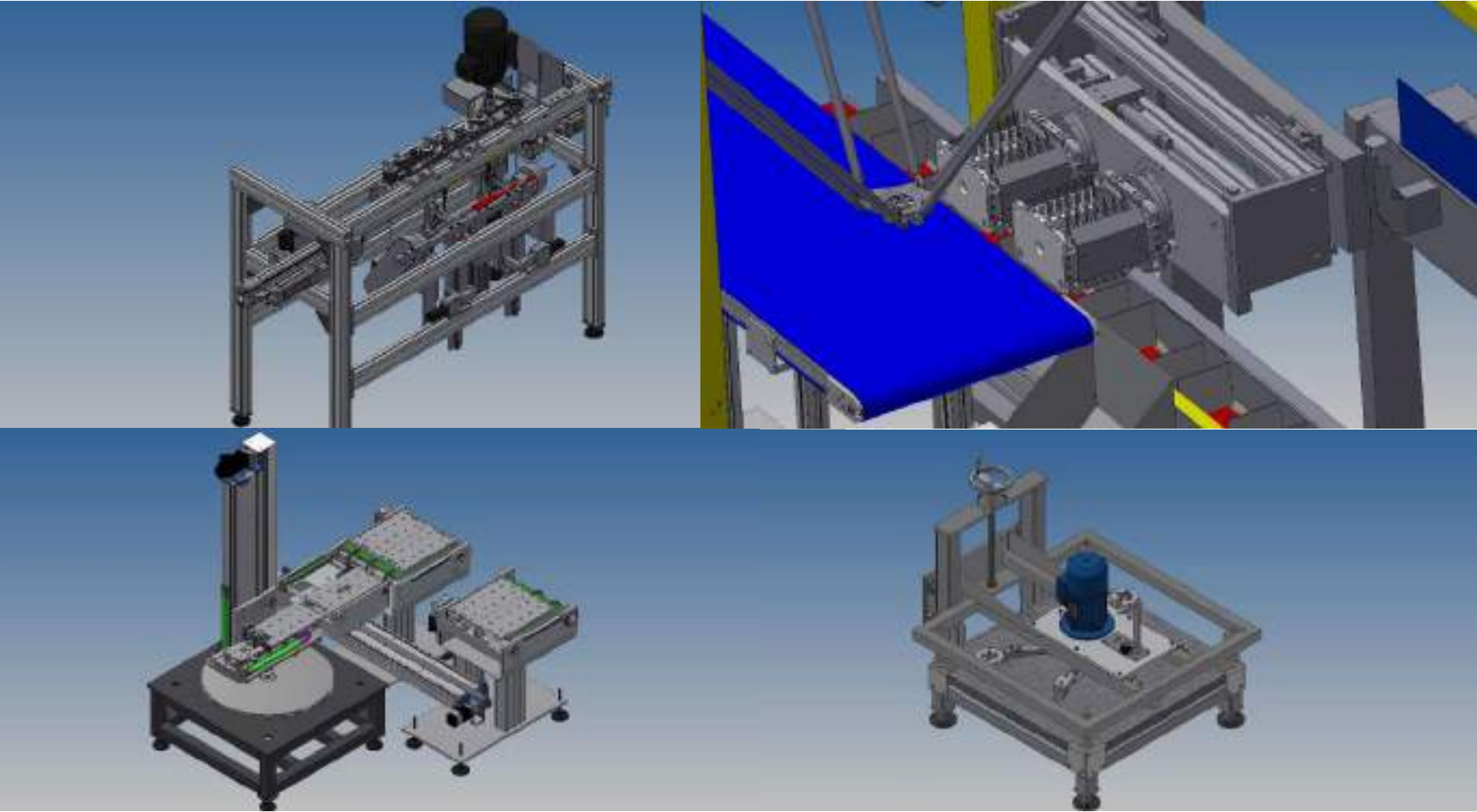




Acfer Service Srl
Ph: +40792413770 - Ph. +393478009951
(whatsapp available)
Email: sales@acferservice.srl
<https://www.acferservice.srl>

Automation system

Automation systems



- Consultancy and research tailored on your needs
- manufacturing and installation with our technical team

- consultancy, research, and identification of suitable suppliers for the requested needs
- realization, supply and installation of equipment ; in collaboration with mechanical workshop



some references through our technicians and partner companies

DUROPHAN BERLIN GERMANY

YAMBER COSTA RICA

WP PACKAGING UK

ALBATROS INDIA

GREENBERRY INDIA

UFLEX INDIA

GOPLACA DOMINICAN REPUBLIC

ASPENLINK UK

PAPELERA ORLANDO ARGENTINA

SAICAFLEX UK

ROBERT MARTS UK

FUJIFILM UK

MONDI UK

WIPAK UK

AMCOR UK

BEMIS UK

BOBST ROTOMECH ITALY

SVECOM PE ITALY

UTECO CONVERTING

RCL MACCHINE GRAFICHE

PAHARPHUR INDIA

RCA BIGNAMI SRL

DECOFILM SPA

CERUTTI SPIRITO IMPIANTI srl

BIELLONI CASTELLO SPA

PROVERA SRL

SAGE SLITTERS

S.T.A SRL

DRORYS SUD

SPAROTOFLEX METALLIZED PAPER SPA

CASALINI E VISCARDI SRL

PAKAGING PLAST SRL

CFM SRL

CARTOTECNICA VENETA SPA

DERTECH SRL

POLYTYPE CONVERTING GMBH

PLASTIKA KRITIS SA

LAEM SYSTEM (IMS)

COMET SPA-A TESA COMPANY

ITACONVERT SRL

CARTOTECNICA BASIC SNC

AMERICAN PACKAGING USA

Acfer Service Srl